

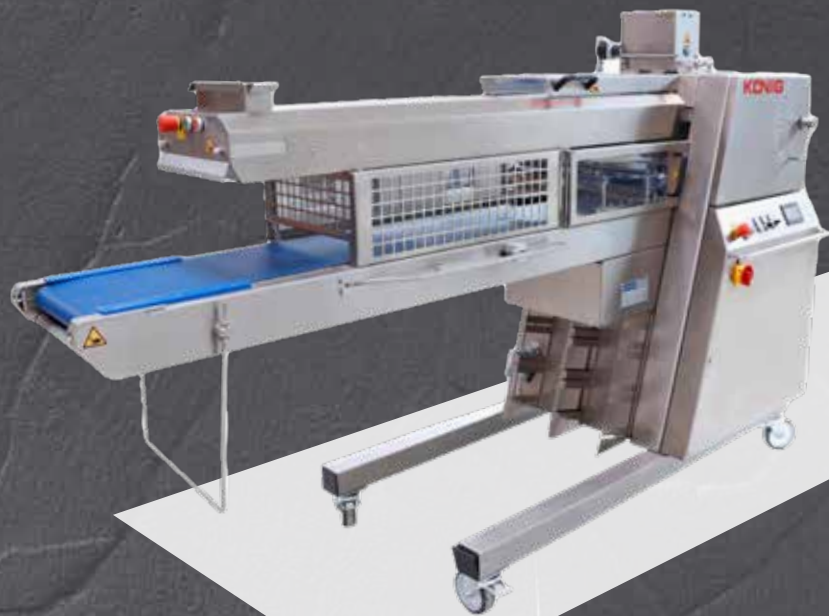
KONIG

THE BAKER'S
CROWN

ARTISAN SFC

THE COMPACT
DOUGH SHEETING LINE FOR
HIGH PRODUCT VARIETY

DOUGH SHEET SYSTEM

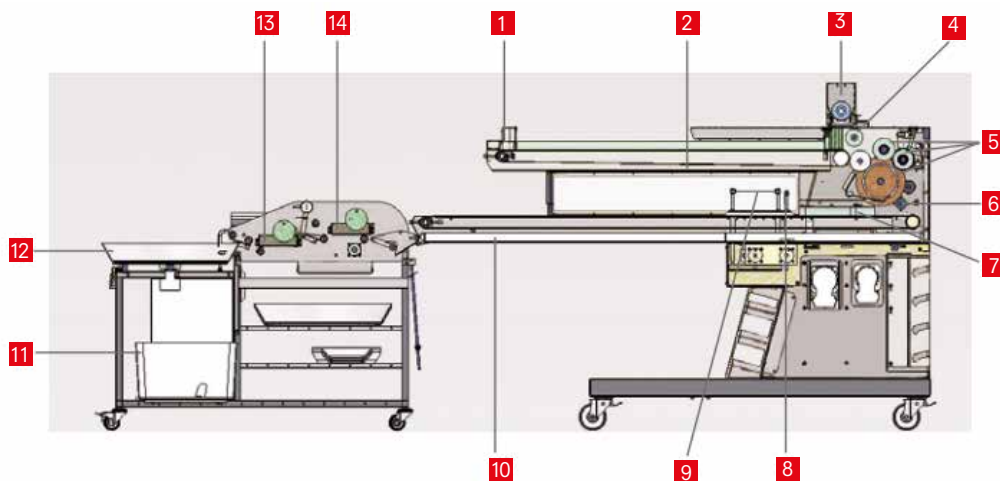


MAIN FEATURES

The Artisan SFC dough sheeting line impresses with its compactness and excellent price/performance ratio. Its strength lies in the variety of products thanks to the different, interchangeable stamping tools. The result: artistic, angular pastries in many variations.

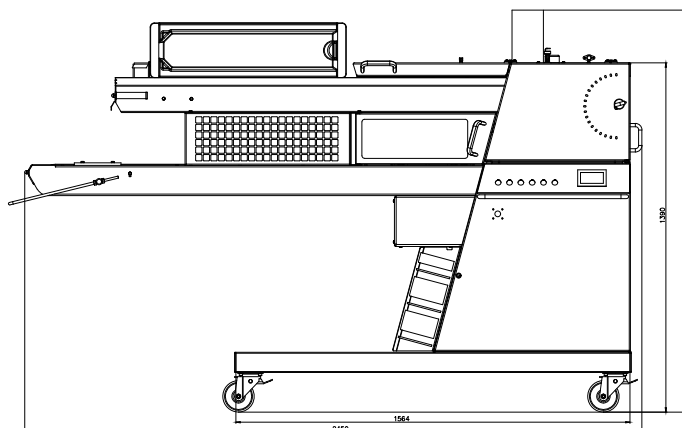
- The line can process up to 300 kg dough per hour
- Dough sheet height: 12 up to 32 mm (depending on dough)
- Dough sheet width: 165 mm
- Optimal dough feeding due to the wide feeding belt
- Dough sheet flour duster with large box and controllable drive for a regular dusting of the dough sheet
- Dough sheet calibrating system due to synchronized calibration ledges
- Touch panel with pictograms for language independent operation
- Quick and easy installation of the machine thanks to pre-installed standard programs and "Self Installation" tutorials
- Max. 50 programs storeable
- Guillotine and stamping station for highest product variety
- Seeding unit optionally available

OVERVIEW ARTISAN SFC + SEEDER



- | | |
|----------------------------------|-------------------------------------|
| 1 flour duster feeding belt | 8 guillotine |
| 2 feeding belt | 9 forming and decor stamp |
| 3 flour duster dough belt | 10 discharge belt |
| 4 feeding roller | 11 water reservoir with pump |
| 5 calibrating rollers | 12 revolving seeding material plate |
| 6 longitudinal cutting unit | 13 water bath II |
| 7 dough sheet calibration system | 14 water bath I |

MAIN DIMENSIONS





SERVICE & SPARE PARTS FROM THE MANUFACTURER!

Every machine and line is tested with dough before it leaves Koenig. Our technicians have thorough training and years of experience in bakery technology. They assemble the equipment at Koenig and then commission it at your location. Our Spare Parts and Service department is at your disposal. Day and night. All over the world.



During office hours: **+43 316 6901 0**
Outside office hours: **+43 316 6901 739**



KONIG

QR code for more information
about the Artisan SFC